

棒状滤波电感

Rod Core Choke



特性

Characteristics

电感与额定直流电流无关

Inductance is independent from rated DC current

高机械稳定性

High mechanical stability

高饱和电流

High saturation currents

满足定制设计的要求

Custom designs on request

应用

Application

开关调节器

Switching regulators

马达

Motors

功率放大器和电源

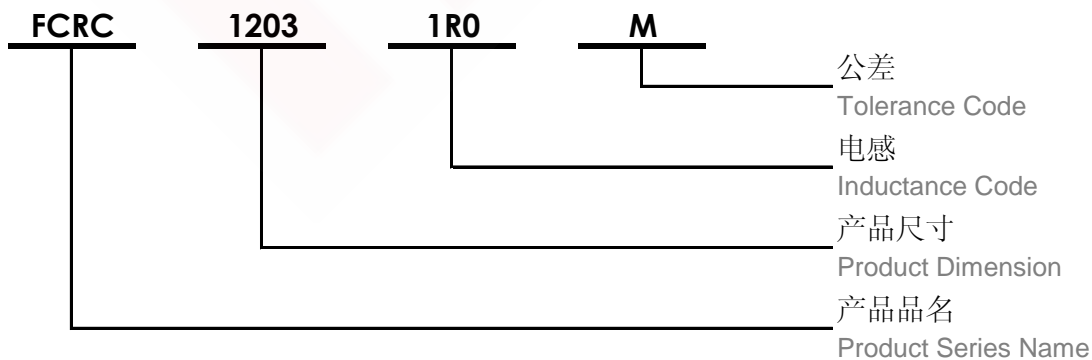
Power amplifiers & Power supplies

宽带滤波

Broadband filtering

产品品名介绍

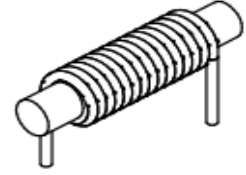
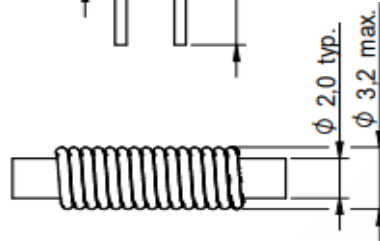
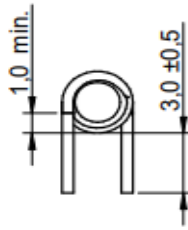
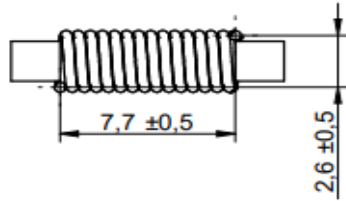
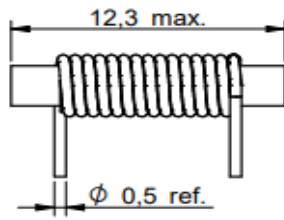
Product Number Structure





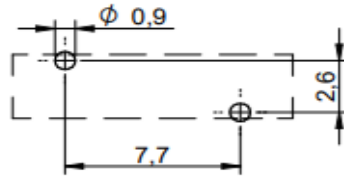
尺寸

Dimension (mm)



焊盘推荐

Land Pattern Recommended (mm)



示意图

Schematics



电性特性

Electrical Properties

型号 Part No.	电感值 Inductance L (μH)	直流电阻 DC Resistance DCR ±20% (mΩ)	温升电流 Rated Current I _r typ (A)	饱和电流 Saturation Current I _{sat} typ (A)	包装数量 Packaging Quantity pcs
FCRC0703-2R0N	2.00 ±30%	11.00	2.50	5.00	500

测试状态

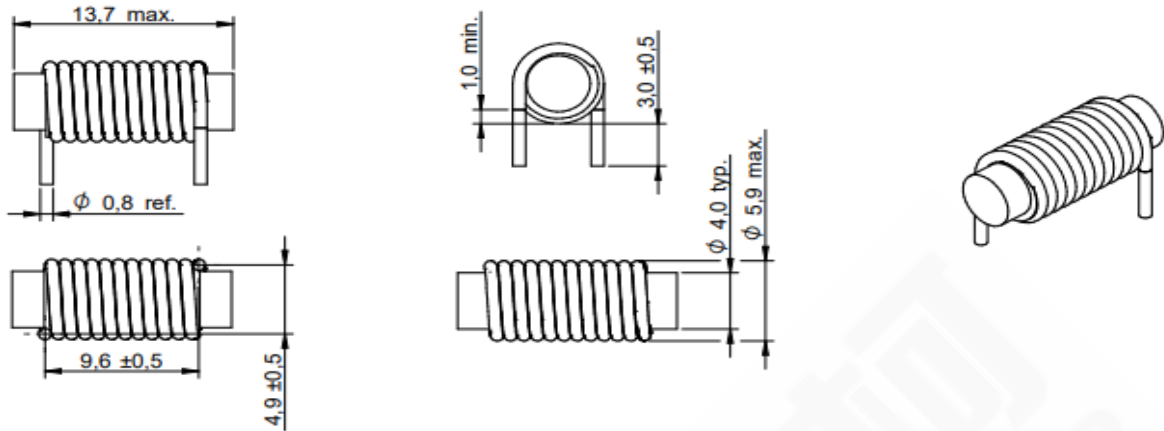
Test Condition

- ☆ 电感测试条件为 10KHz / 5.0mA (25°C)
Inductance measure condition at 10KHz / 5.0mA (25°C)
- ☆ 工作温度: -40°C ~ +150°C
Operating Temperature: -40°C ~ +150°C
- ☆ 饱和电流: 电感值下降其初始值的10%时所加载的实际直流电流值
Saturation Current: The actual value of DC current when the inductance drop 10% of initial value
- ☆ 温升电流: 使产品温度上升到ΔT40°C时所加载的实际直流电流值 (Ta=25°C)。
Rated Current: The actual value of DC current when the temperature rise is ΔT40°C (Ta=25°C)



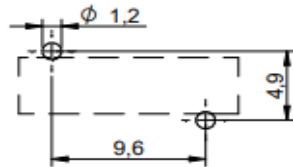
尺寸

Dimension (mm)



焊盘推荐

Land Pattern Recommended (mm)



示意图

Schematics



电性特性

Electrical Properties

型号 Part No.	电感值 Inductance L (μH)	直流电阻 DC Resistance DCR ±20% (mΩ)	温升电流 Rated Current I _r typ (A)	饱和电流 Saturation Current I _{sat} typ (A)	包装数量 Packaging Quantity pcs
FCRC0905-2R0N	2.00 ±30%	6.50	5.00	18.00	300

测试状态

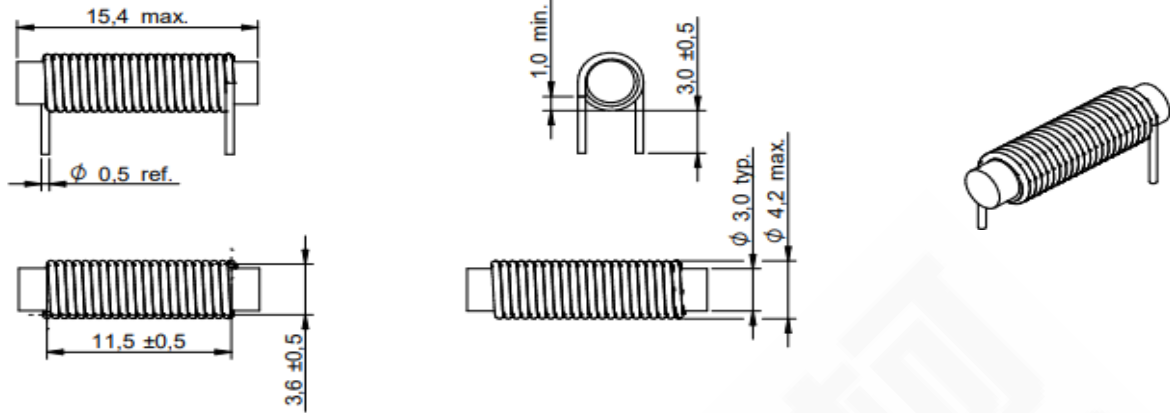
Test Condition

- ☆ 电感测试条件为 10KHz / 5.0mA (25°C)
Inductance measure condition at 10KHz / 5.0mA (25°C)
- ☆ 工作温度: -40°C ~ +150°C
Operating Temperature: -40°C ~ +150°C
- ☆ 饱和电流: 电感值下降其初始值的10%时所加载的实际直流电流值
Saturation Current: The actual value of DC current when the inductance drop 10% of initial value
- ☆ 温升电流: 使产品温度上升到ΔT40°C时所加载的实际直流电流值 (Ta=25°C)。
Rated Current: The actual value of DC current when the temperature rise is ΔT40°C (Ta=25°C)



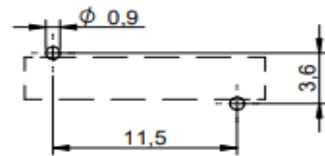
尺寸

Dimension (mm)



焊盘推荐

Land Pattern Recommended (mm)



示意图

Schematics



电性特性

Electrical Properties

型号 Part No.	电感值 Inductance L (μH)	直流电阻 DC Resistance DCR ±20% (mΩ)	温升电流 Rated Current I _r typ (A)	饱和电流 Saturation Current I _{sat} typ (A)	包装数量 Packaging Quantity pcs
FCRC1104-6R0N	6.00 ±30%	22.00	2.50	6.50	200

测试状态

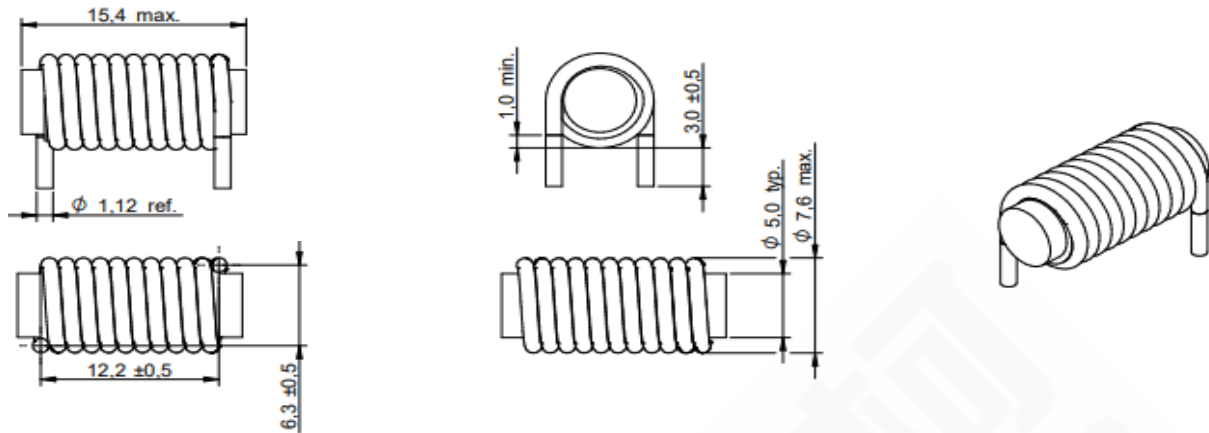
Test Condition

- ☆ 电感测试条件为 10KHz / 5.0mA (25°C)
Inductance measure condition at 10KHz / 5.0mA (25°C)
- ☆ 工作温度: -40°C ~ +150°C
Operating Temperature: -40°C ~ +150°C
- ☆ 饱和电流: 电感值下降其初始值的10%时所加载的实际直流电流值
Saturation Current: The actual value of DC current when the inductance drop 10% of initial value
- ☆ 温升电流: 使产品温度上升到ΔT40°C时所加载的实际直流电流值 (Ta=25°C)。
Rated Current: The actual value of DC current when the temperature rise is ΔT40°C (Ta=25°C)



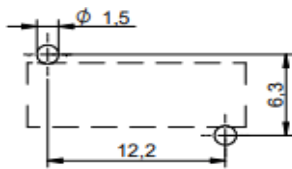
尺寸

Dimension (mm)



焊盘推荐

Land Pattern Recommended (mm)



示意图

Schematics



电性特性

Electrical Properties

型号 Part No.	电感值 Inductance L (μH)	直流电阻 DC Resistance DCR ±20% (mΩ)	温升电流 Rated Current I _r typ (A)	饱和电流 Saturation Current I _{sat} typ (A)	包装数量 Packaging Quantity pcs
FCRC1207-2R0N	2.00 ±30%	3.80	10.00	32.00	200

测试状态

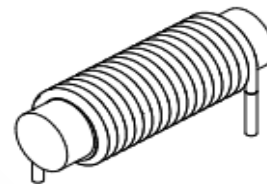
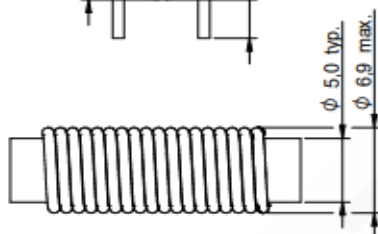
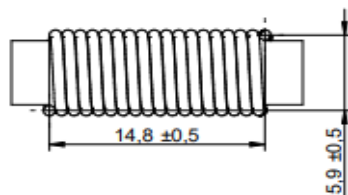
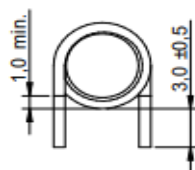
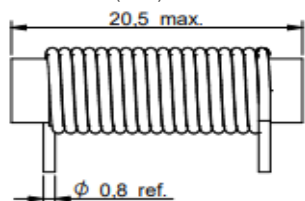
Test Condition

- ☆ 电感测试条件为 10KHz / 5.0mA (25°C)
Inductance measure condition at 10KHz / 5.0mA (25°C)
- ☆ 工作温度: -40°C ~ +150°C
Operating Temperature: -40°C ~ +150°C
- ☆ 饱和电流: 电感值下降其初始值的10%时所加载的实际直流电流值
Saturation Current: The actual value of DC current when the inductance drop 10% of initial value
- ☆ 温升电流: 使产品温度上升到ΔT40°C时所加载的实际直流电流值 (Ta=25°C)。
Rated Current: The actual value of DC current when the temperature rise is ΔT40°C (Ta=25°C)



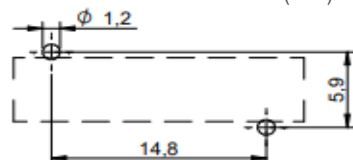
尺寸

Dimension (mm)



焊盘推荐

Land Pattern Recommended (mm)



示意图

Schematics



电性特性

Electrical Properties

型号 Part No.	电感值 Inductance L (μH)	直流电阻 DC Resistance DCR ±20% (mΩ)	温升电流 Rated Current I _r typ (A)	饱和电流 Saturation Current I _{sat} typ (A)	包装数量 Packaging Quantity pcs
FCRC1406-6R0N	6.00 ±30%	11.70	5.00	14.50	200

测试状态

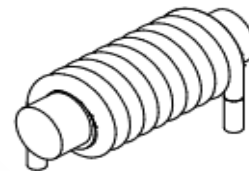
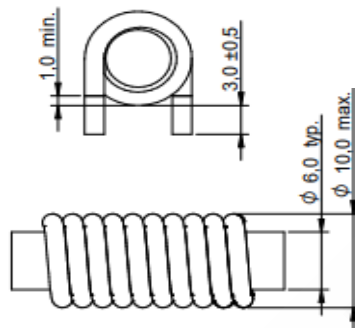
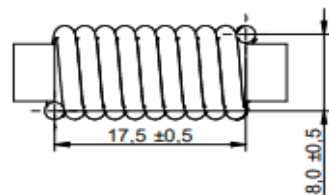
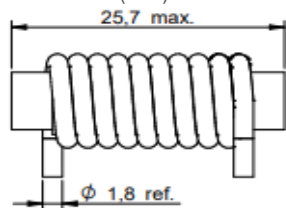
Test Condition

- ☆ 电感测试条件为 10KHz / 5.0mA (25°C)
Inductance measure condition at 10KHz / 5.0mA (25°C)
- ☆ 工作温度: -40°C ~ +150°C
Operating Temperature: -40°C ~ +150°C
- ☆ 饱和电流: 电感值下降其初始值的10%时所加载的实际直流电流值
Saturation Current: The actual value of DC current when the inductance drop 10% of initial value
- ☆ 温升电流: 使产品温度上升到ΔT40°C时所加载的实际直流电流值 (Ta=25°C)。
Rated Current: The actual value of DC current when the temperature rise is ΔT40°C (Ta=25°C)



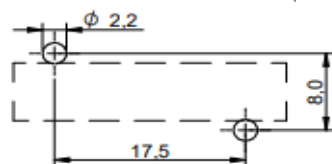
尺寸

Dimension (mm)



焊盘推荐

Land Pattern Recommended (mm)



示意图

Schematics



电性特性

Electrical Properties

型号 Part No.	电感值 Inductance L (μH)	直流电阻 DC Resistance DCR ±20% (mΩ)	温升电流 Rated Current I _r typ (A)	饱和电流 Saturation Current I _{sat} typ (A)
FCRC1710-2R0N	2.00 ±30%	1.70	15.00	34.00

测试状态

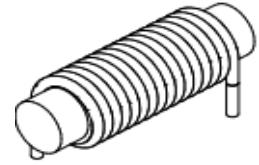
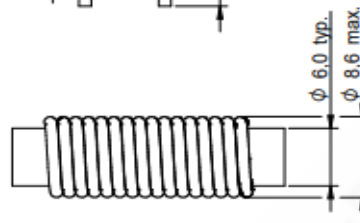
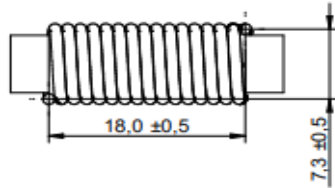
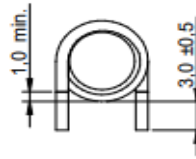
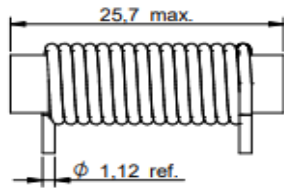
Test Condition

- ☆ 电感测试条件为 10KHz / 5.0mA (25°C)
Inductance measure condition at 10KHz / 5.0mA (25°C)
- ☆ 工作温度: -40°C ~ +150°C
Operating Temperature: -40°C ~ +150°C
- ☆ 饱和电流: 电感值下降其初始值的10%时所加载的实际直流电流值
Saturation Current: The actual value of DC current when the inductance drop 10% of initial value
- ☆ 温升电流: 使产品温度上升到ΔT40°C时所加载的实际直流电流值 (Ta=25°C)。
Rated Current: The actual value of DC current when the temperature rise is ΔT40°C (Ta=25°C)



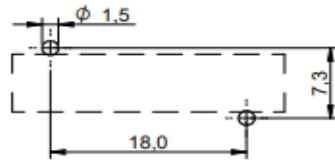
尺寸

Dimension (mm)



焊盘推荐

Land Pattern Recommended (mm)



示意图

Schematics



电性特性

Electrical Properties

型号 Part No.	电感值 Inductance L (μH)	直流电阻 DC Resistance DCR ±20% (mΩ)	温升电流 Rated Current I _r typ (A)	饱和电流 Saturation Current I _{sat} typ (A)
FCRC1808-6R0N	6.00 ±30%	6.50	10.00	19.00

测试状态

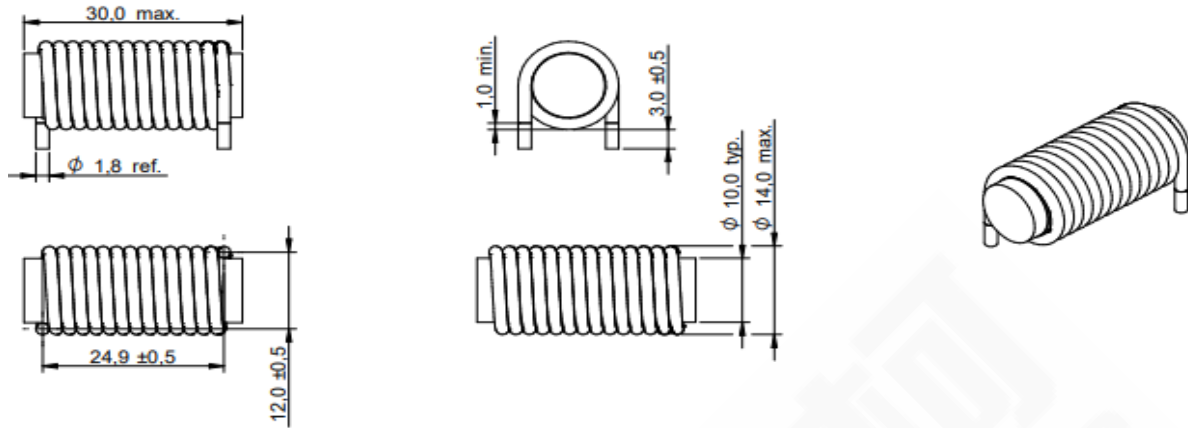
Test Condition

- ☆ 电感测试条件为 10KHz / 5.0mA (25°C)
Inductance measure condition at 10KHz / 5.0mA (25°C)
- ☆ 工作温度: -40°C ~ +150°C
Operating Temperature: -40°C ~ +150°C
- ☆ 饱和电流: 电感值下降其初始值的10%时所加载的实际直流电流值
Saturation Current: The actual value of DC current when the inductance drop 10% of initial value
- ☆ 温升电流: 使产品温度上升到ΔT40°C时所加载的实际直流电流值 (Ta=25°C)。
Rated Current: The actual value of DC current when the temperature rise is ΔT40°C (Ta=25°C)



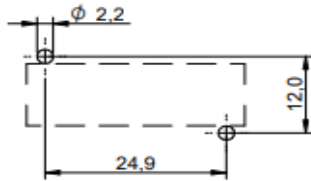
尺寸

Dimension (mm)



焊盘推荐

Land Pattern Recommended (mm)



示意图

Schematics



电性特性

Electrical Properties

型号 Part No.	电感值 Inductance L (μH)	直流电阻 DC Resistance DCR ±20% (mΩ)	温升电流 Rated Current I _r typ (A)	饱和电流 Saturation Current I _{sat} typ (A)
FCRC2414-6R0N	6.00 ±30%	3.50	15.00	45.00

测试状态

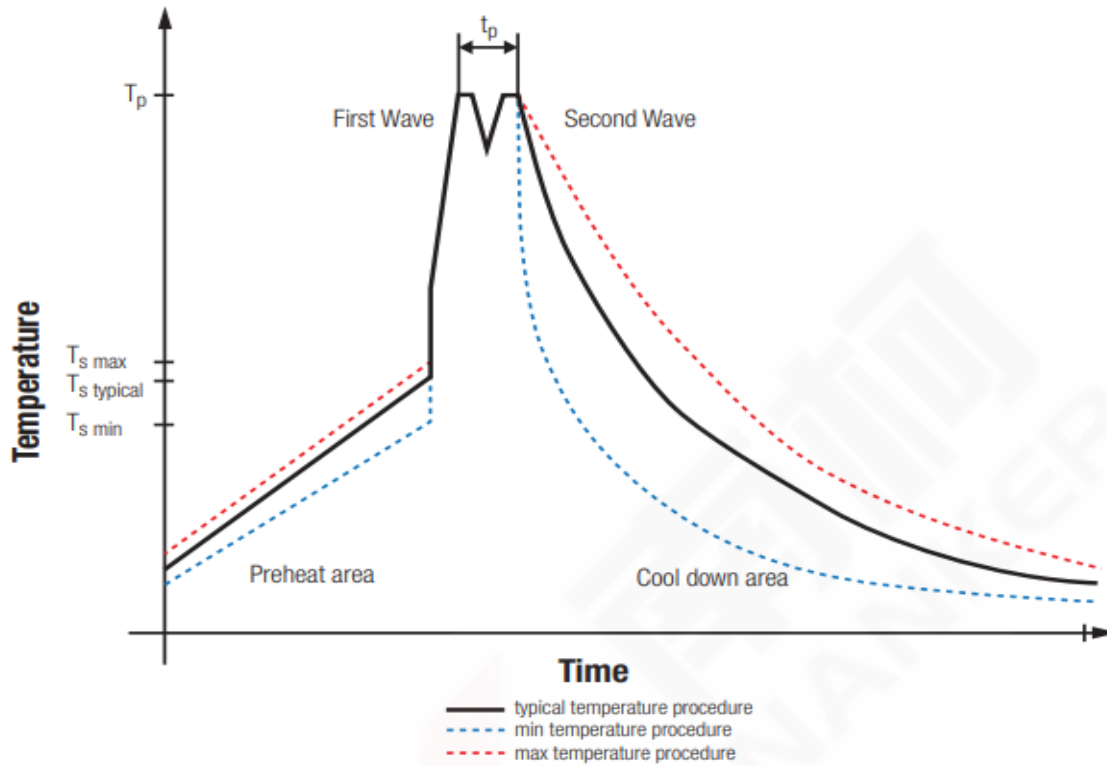
Test Condition

- ☆ 电感测试条件为 10KHz / 5.0mA (25°C)
Inductance measure condition at 10KHz / 5.0mA (25°C)
- ☆ 工作温度: -40°C ~ +150°C
Operating Temperature: -40°C ~ +150°C
- ☆ 饱和电流: 电感值下降其初始值的10%时所加载的实际直流电流值
Saturation Current: The actual value of DC current when the inductance drop 10% of initial value
- ☆ 温升电流: 使产品温度上升到ΔT40°C时所加载的实际直流电流值 (Ta=25°C)。
Rated Current: The actual value of DC current when the temperature rise is ΔT40°C (Ta=25°C)



波峰焊线图

Classification Wave Soldering Profile



封装体峰值温度(T_p)分类

Classification Reflow Soldering Profile:

Profile Feature		Pb-Free Assembly	Sn-Pb Assembly
Preheat Temperature Min	$T_{s\ min}$	100°C	100°C
Preheat Temperature Typical	$T_{s\ typical}$	120°C	120°C
Preheat Temperature Max	$T_{s\ max}$	130°C	130°C
Preheat Time t_s from $T_{s\ min}$ to $T_{s\ max}$	t_s	70 seconds	70 seconds
Ramp-up Rate	ΔT	150°C max	150°C max
Peak Temperature	T_p	250°C ~ 260°C	235°C ~ 260°C
Time of actual peak temperature	t_p	max. 10 seconds max. 5 seconds each wave	max. 10 seconds max. 5 seconds each wave
Ramp-down Rate, Min		~ 2K/seconds	~ 2K/seconds
Ramp-down Rate, Typical		~3.5K/seconds	~3.5K/seconds
Ramp-down Rate, Max		5K/seconds	5K/seconds
Time 25°C to 25°C		4 minutes	4 minutes

* 波峰焊参照标准EN61760-1:2006。

Wave Soldering is refer to standard EN61760-1:2006